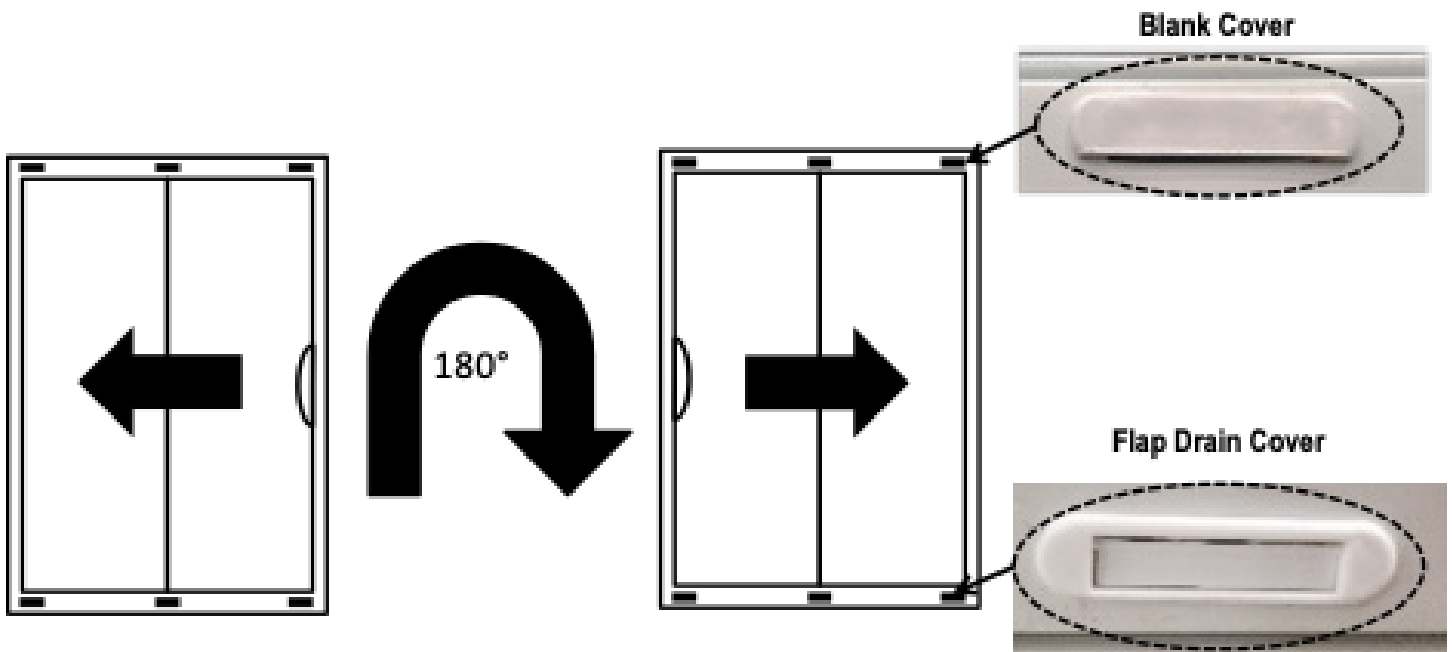




## DRAIN COVER INSTALLATION

The 5-Series Patio door is a reversible door; the purpose of these instructions is to change the operation from XO to OX or vice versa.

The door comes with flap drain covers from the factory. After the door is installed, replace the flap drain covers in the header with the blank drain covers (provided separately in the hardware bag).



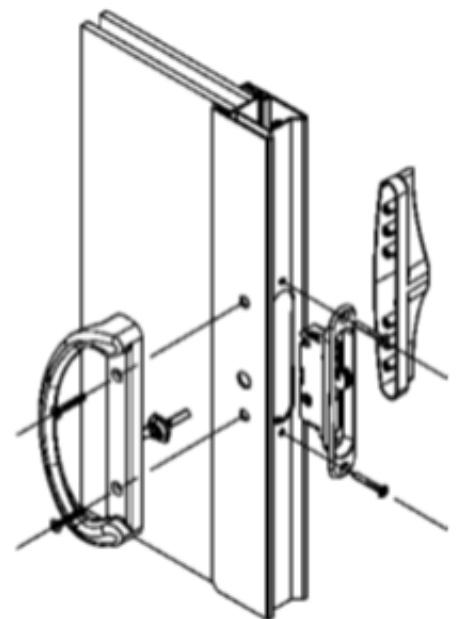
## LOCK ADJUSTMENT

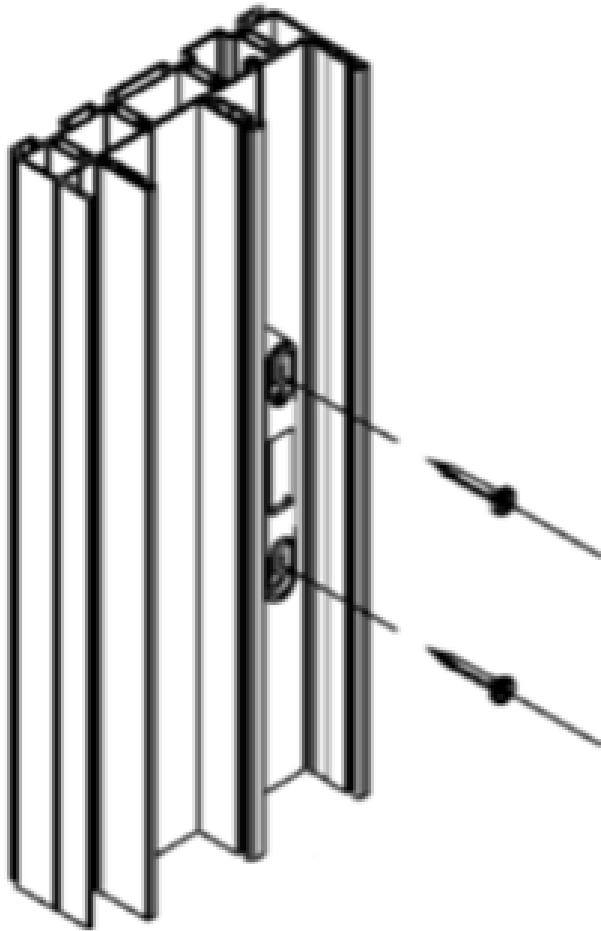
If after flipping the door, the lock striker hook is facing downward, it is recommended to flip the lock mechanism.

To do so, unscrew the handle screws, remove the handle, remove the thumb turn, and then remove the lock mechanism.

Flip and install the lock mechanism into the pre-drilled slot in the side of the operating panel with the adjustment screw to the top and the striker hook facing upwards. Insert the thumb turn into the slot on the inside of the lock mechanism, as shown on the right.

Install the interior and exterior pull handles (with the screws provided) from the interior of the door. Ensure that the exterior pull is installed as shown on the right, and that the finger pull recess is facing towards the jamb





The keeper plate comes preinstalled from the factory. Try to lock the door; if it does not lock, follow the guidelines below to relocate the keeper.

If the door is able to lock and the keeper plate is in the correct position, mark the keeper position, unmount it, and install solid shims between the jamb and the opening. The next step is to attach the keeper to the jamb and into the surrounding structure with two 2- 1/2” screws as shown to the left.

To relocate the latch keeper on the jamb, open the operating panel, unmount the preinstalled keeper, nest the keeper into the opening on the lock mechanism, and then engage the thumb turn to hold the keeper within the lock mechanism.

Apply a piece of 2-sided tape to the back of the keeper and firmly close the panel into the jamb. Disengage the thumb turn and slide the operating panel away from the jamb. The latch keeper should be held in the jamb by the 2-sided tape. Mark the keeper location with a pencil and remove the tape.

**NOTE:** Install the screws through the center of the slots in the keeper to allow for future vertical adjustments if necessary.

## CAULKING

Use a good quality building sealant that is compatible with the vinyl surfaces of the sliding door and the surrounding structure. It is important that all surfaces to be caulked are free of smut, dust, and grease and are well cleaned with an isopropyl alcohol solution, followed by a clean dry wipe. Depending on the sealants being used, a primer may also be necessary. Check the application with your sealant supplier.

**CAUTION:** If expanding foam insulation is being used to fill the void between the door frame and surrounding structure, we recommend the use of good quality low expanding material only applied by an experienced applicator. The use of high expanding foam can bow and deform framing members resulting in poor performance and difficult operation of the door.

**CLEANING:** Remove all debris and vacuum all dirt and filings from the sill. Using a mild soap and water solution, clean all vinyl and glass surfaces. Do not use solvents or harsh cleaners as they may damage the finish surfaces.